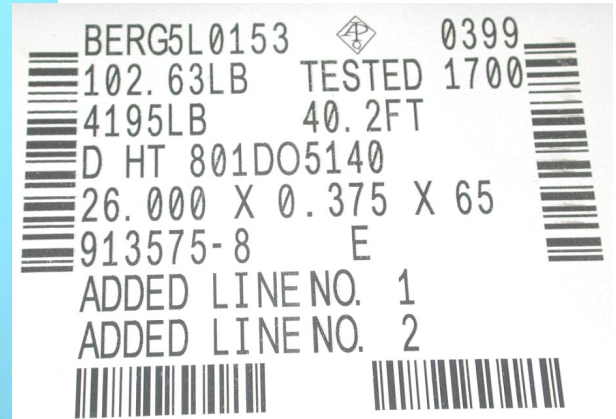




Flyer 1006

Inside Diameter Laser Marking System



IDLMS System laser-marking the ID of a large pipe



Video Link to view this system in operation:
<http://tinyurl.com/6azdu6y>

Features

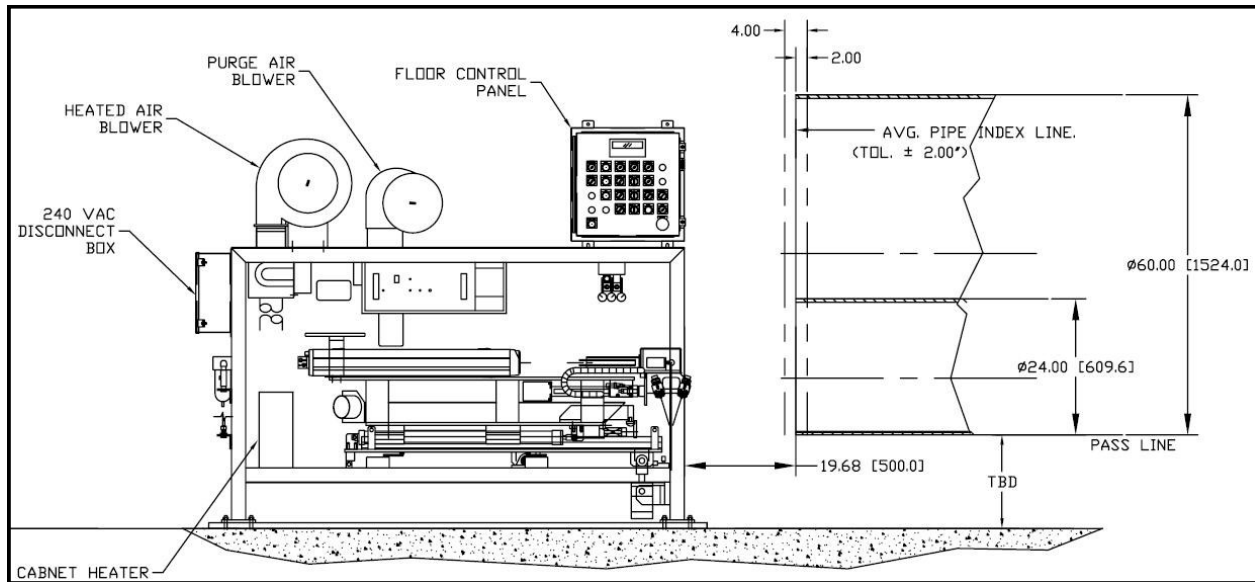
The InfoSight IDLMS™ is the preferred solution when it comes to automated ID marking of large 12-3/4" (324mm) or greater pipe and tube.

The Inside Diameter Laser Marking System (IDLMS):

- Receives downloaded message data from the mill computer and arranges the data in the selected programmable message buffer layout.
- Applies a white laser-markable paint patch to the inside bottom dead center of a pipe - typically a 12"x12" (300mm x 300mm) square patch.
- Laser-marks the paint patch within an 8"x8" (200mm x 200mm) square laser marking window, and then,
- An optional clear overcoat can be applied
- The laser mark can contain text, graphics, and images such as industry-standard or company logos, and bar codes.
- The mark is designed to withstand long term outdoor storage.
- Downstream bar code readers can capture the identification of the pipe from the mark at various manufacturing nodes.



IDLMS System in testing in InfoSight's Shop



Additional System Options

- Custom adaptation of the IDLMS to your mill geometry
- Custom data exchange design is available (TCP/IP or specific PLC Data Highway exchange)
- Multiple programmable message buffers can be used for commonly-used message formats
- IDLMS function can be integrated to operate seamlessly with other mill functions, for example length– and weight– measurement
- Contact InfoSight to discuss your specific requirements